

4

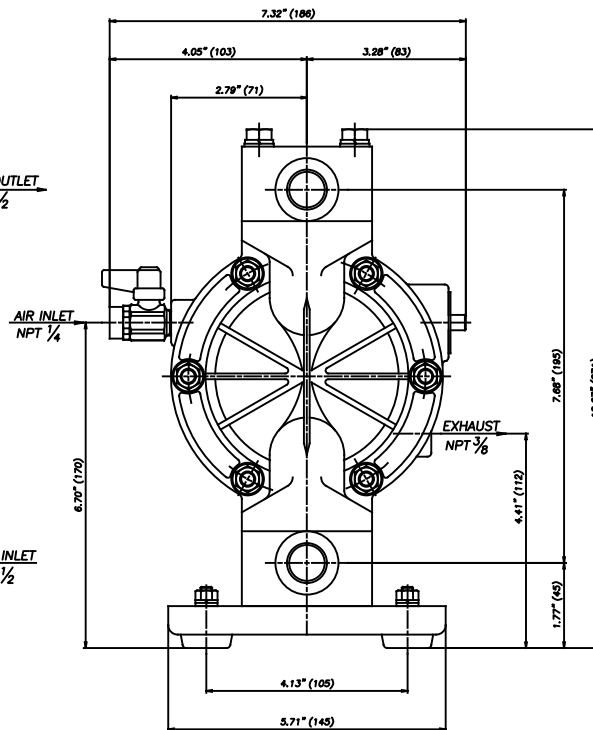
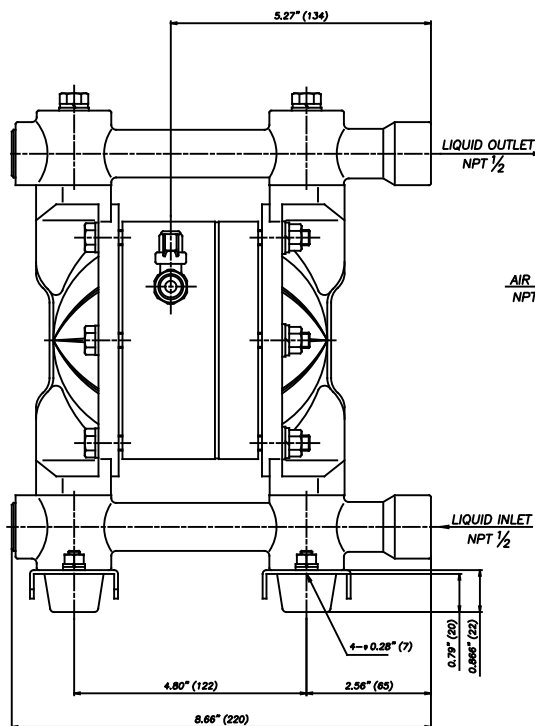
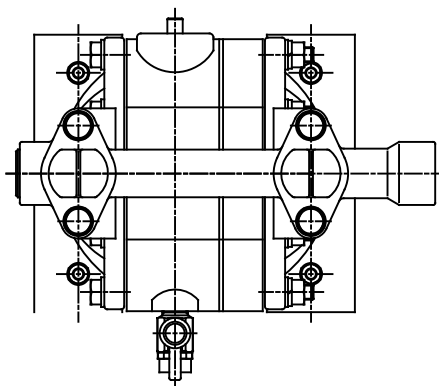
3

2


1

REVISIONS

REV	DESCRIPTION	DATE	APPROVED
A	RELEASED		



NOTES:
1. SOME FEATURES MAY VARY SLIGHTLY.

<p>PROPRIETARY</p> <p>THIS DRAWING CONTAINS CONFIDENTIAL INFORMATION PROPRIETARY TO IWAKI AMERICA. IT MUST NOT BE REPRODUCED OR FORWARDED TO OTHERS OR USED IN ANY OTHER WAY, IN WHOLE OR IN PART, UNLESS AUTHORIZED IN WRITING BY IWAKI AMERICA.</p>		<p>TOLERANCES</p> <p>DIMENSIONS IN INCHES UNLESS OTHERWISE NOTED</p> <p>X = .050 XX = .010 .XXX = .00</p> <p>DEBURR AND BREAK ALL SHARP EDGES</p>		 <p>www.IwakiAir.com</p>		<p>5 Boynton Rd. Hopping Brook Park Holliston, MA 01746 (508) 429-1440</p>					
MATERIAL		SEE CHART		SIZE		DWG NO.		DESCRIPTION		REV	
BY		DATE		B		TC-X00222		TC-X151A_N		A	
APPROVED		DATE		SCALE: FULL		THIRD ANGLE PROJECTION		SHEET: 1 OF 1			

4

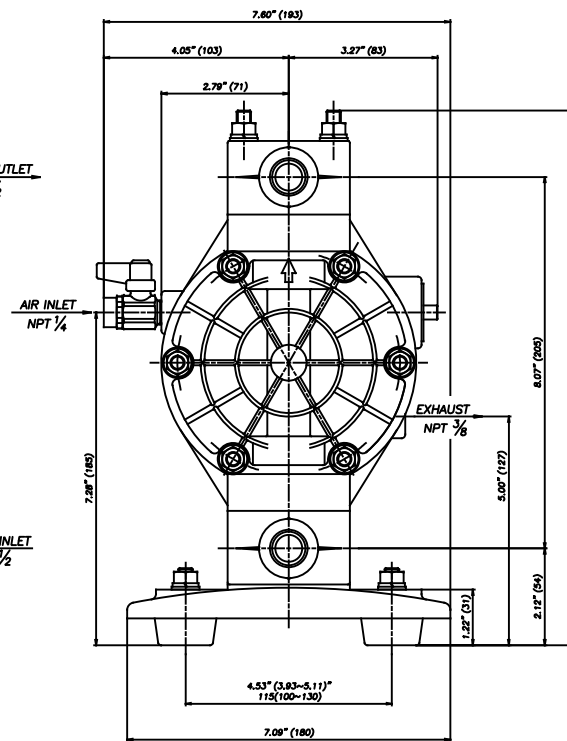
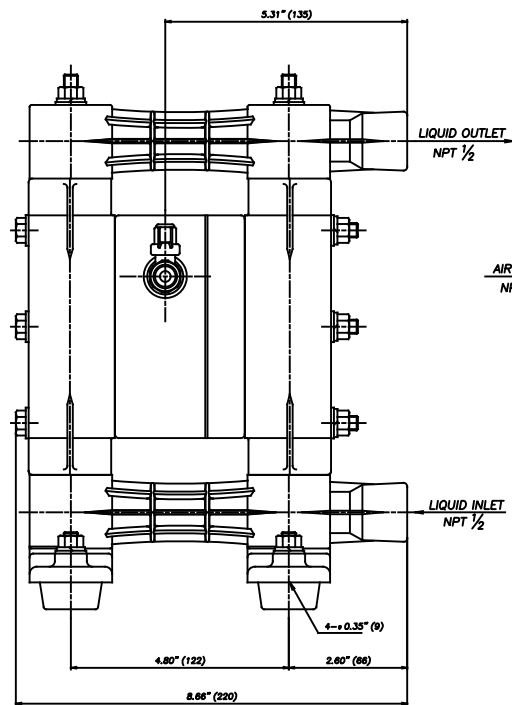
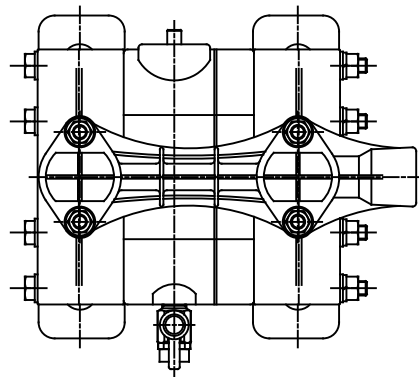
3

2

1

REVISIONS

REV	DESCRIPTION	DATE	APPROVED
A	RELEASED		



NOTES:
1. SOME FEATURES MAY VARY SLIGHTLY.

PROPRIETARY

THIS DRAWING CONTAINS CONFIDENTIAL INFORMATION PROPRIETARY TO IWAKI AMERICA. IT MUST NOT BE REPRODUCED OR FORWARDED TO OTHERS OR USED IN ANY OTHER WAY, IN WHOLE OR IN PART, UNLESS AUTHORIZED IN WRITING BY IWAKI AMERICA.

MATERIAL SEE CHART

BY BW DATE 3/13/2026

APPROVED DATE

TOLERANCES

DIMENSIONS IN INCHES UNLESS OTHERWISE NOTED

UNLESS OTHERWISE NOTED
X = .050
XX = .010
.XXX = .00

DEBURR AND BREAK ALL SHARP EDGES



www.IwakiAir.com

5 Boynton Rd.
Hopping Brook Park
Holliston, MA 01746
(508) 429-1440

SIZE DWG NO. B TC-X00223

DESCRIPTION TC-X151G_N REV A

SCALE: FULL THIRD ANGLE PROJECTION SHEET: 1 OF 1

4

3

2

1

4

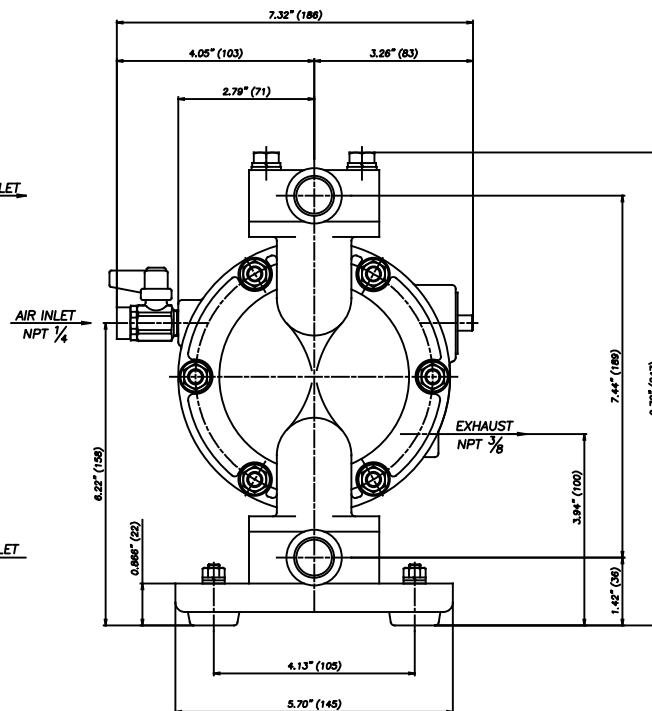
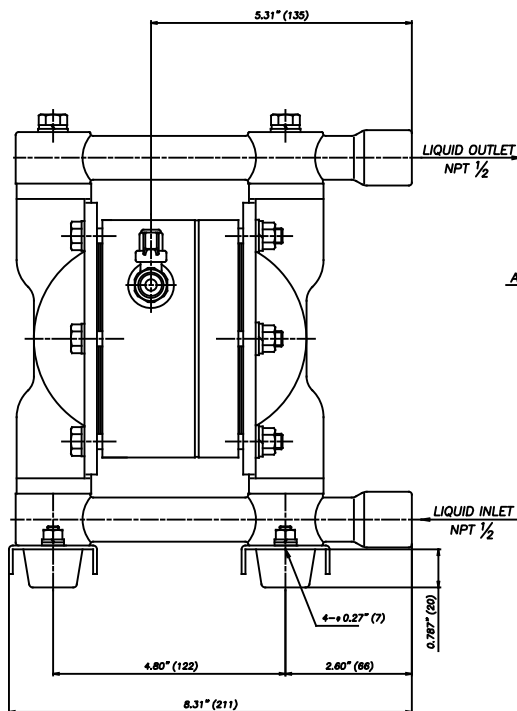
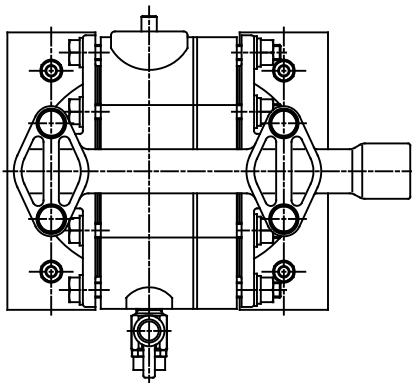
3

2


1

REVISIONS

REV	DESCRIPTION	DATE	APPROVED
A	RELEASED		



NOTES:
1. SOME FEATURES MAY VARY SLIGHTLY.

<p>PROPRIETARY</p> <p>THIS DRAWING CONTAINS CONFIDENTIAL INFORMATION PROPRIETARY TO IWAKI AMERICA. IT MUST NOT BE REPRODUCED OR FORWARDED TO OTHERS OR USED IN ANY OTHER WAY, IN WHOLE OR IN PART, UNLESS AUTHORIZED IN WRITING BY IWAKI AMERICA.</p>		<p>TOLERANCES</p> <p>DIMENSIONS IN INCHES UNLESS OTHERWISE NOTED</p> <p>X = .050 XX = .010 XXX = .00</p>		 <p>5 Boynton Rd. Hopping Brook Park Holliston, MA 01746 (508) 429-1440</p> <p>www.IwakiAir.com</p>	
		<p>DEBURR AND BREAK ALL SHARP EDGES</p>			
MATERIAL		SEE CHART			
BY	DATE	SIZE	DWG NO.	DESCRIPTION	REV
BW	3/13/2026	B	TC-X00224	TC-X151S_N	A
APPROVED	DATE	SCALE:	FULL	THIRD ANGLE PROJECTION	SHEET: 1 OF 1

4

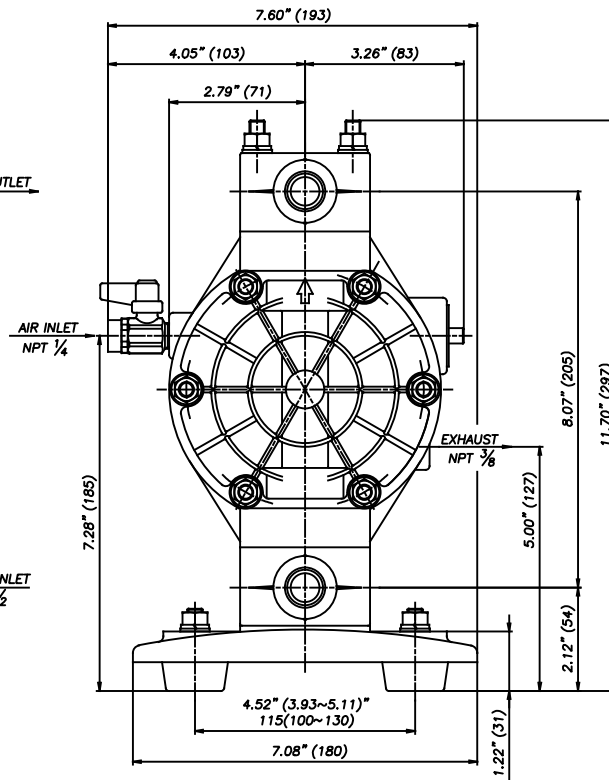
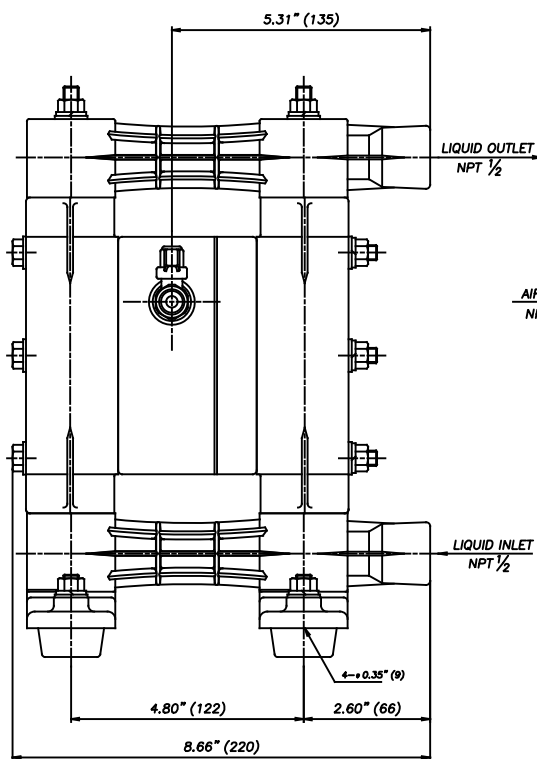
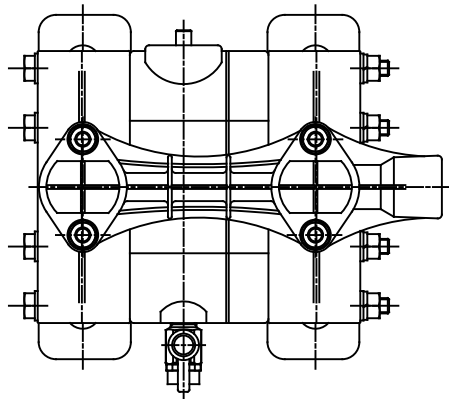
3

2


1

REVISIONS

REV	DESCRIPTION	DATE	APPROVED
A	RELEASED		



NOTES:
1. SOME FEATURES MAY VARY SLIGHTLY.

<p>PROPRIETARY THIS DRAWING CONTAINS CONFIDENTIAL INFORMATION PROPRIETARY TO IWAKI AMERICA. IT MUST NOT BE REPRODUCED OR FORWARDED TO OTHERS OR USED IN ANY OTHER WAY, IN WHOLE OR IN PART, UNLESS AUTHORIZED IN WRITING BY IWAKI AMERICA.</p>		<p>TOLERANCES DIMENSIONS IN INCHES UNW UNLESS OTHERWISE NOTED X = .050 XX = .010 XXX = .00</p>		 <p>www.IwakiAir.com</p>		<p>5 Boynton Rd. Hopping Brook Park Holliston, MA 01746 (508) 429-1440</p>	
<p>MATERIAL SEE CHART</p>		<p>DEBURR AND BREAK ALL SHARP EDGES</p>		<p>BY BW</p>		<p>DATE 3/13/2026</p>	
<p>APPROVED</p>		<p>DATE</p>		<p>SIZE B</p>		<p>DWG NO. TC-X00225</p>	
<p>SCALE: FULL</p>		<p>THIRD ANGLE PROJECTION</p>		<p>DESCRIPTION TC-X151V_N</p>		<p>REV A</p>	
<p>SHEET: 1 OF 1</p>							

4

3

2

1